

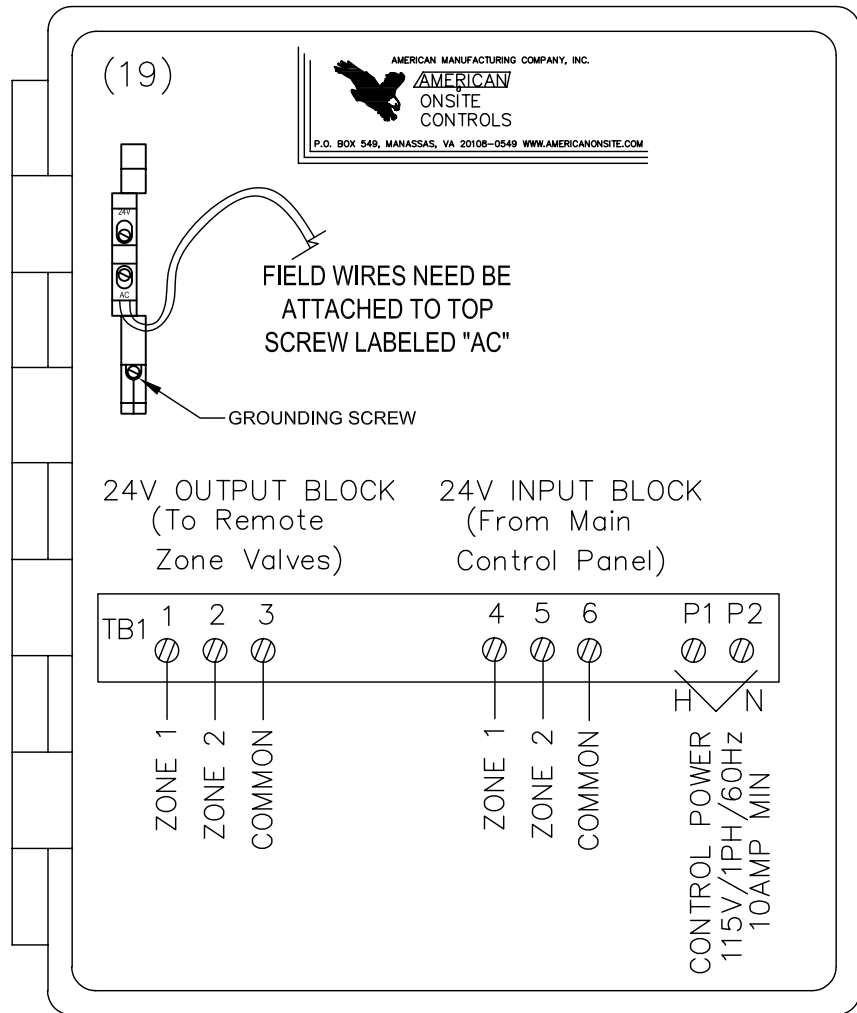
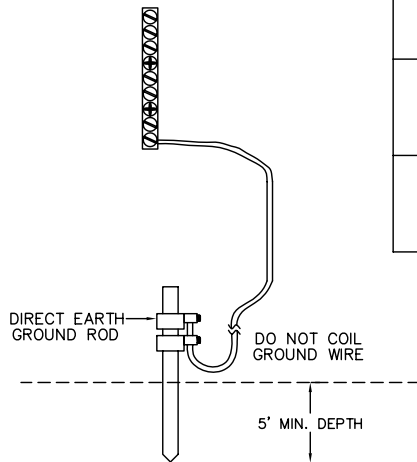


AMERICAN ONSITE CONTROLS

AMERICAN MANUFACTURING COMPANY INC.
 P.O. BOX 97 ELKWOOD, VA 22718
 (800) 345-3132 www.americanonsite.com

CB1	14-10awg	20 in-lbs
	8awg	25 in-lbs
	6-4awg	27 in-lbs
TB1 (#4,#5,#6,P1,P2)	8-22awg	18-20 in-lbs
TB1 (#1,#2,#3)	12-24awg	7-9 in-lbs

ISOLATION GND
FOR REMOTE ZONES



INSTALLATION NOTES:

- PLEASE REVIEW ALL PAGES AND INSERTS IN THIS MANUAL BEFORE ATTEMPTING TO INSTALL ANY CONTROL EQUIPMENT.
1. DASHED LINES (- -) REPRESENT TERMINALS, EQUIPMENT, AND/OR OPTIONS THAT MAY OR MAY NOT BE PRESENT IN EACH SYSTEM COVERED BY THIS MANUAL.
 2. BRANCH CIRCUIT PROTECTION MUST BE PROVIDED BY OTHERS. CONSULT NEC AND/OR LOCAL CODES.
 3. SINGLE (1) PHASE PUMP MOTORS MUST HAVE INTEGRAL THERMAL OVERLOAD PROTECTION.
 4. TEMPERATURE RATING OF FIELD INSTALLED COPPER CONDUCTORS MUST BE AT LEAST 140°F (60°C).
 5. FOR PUMPS THAT REQUIRE EXTERNAL CAPACITOR INSTALLATION KITS, SEE KIT PACK INSTALLATION INSERT PROVIDED.
 6. PUMP SUPPLY MUST MATCH REQUIRED PUMP VOLTAGE. CONDUIT ENTRANCE MUST MATCH ENCLOSURE RATING.
 7. PUMP AND PANEL VOLTAGE CODE MUST BE EQUIVALENT TO INCOMING PUMP AND CONTROL POWER SUPPLIES.
 8. OVERLOAD/MOTOR PROTECTOR UNIT MAY REQUIRE ADJUSTMENT TO MATCH PUMP FULL LOAD AMPS (FLA)
 9. SEPARATE OVERLOAD (O.L.) NOT REQUIRED WHEN MOTOR PROTECTORS (MP) ARE SUPPLIED.
 10. THE MANUFACTURER RECOMMENDS THAT CONTROL/ALARM SUPPLY BE SEPARATE FROM THE PUMP SUPPLY.
 11. REFER TO BACKPLATE LAYOUT ON PAGE 3 FOR THE REQUIRED TORQUE SETTINGS FOR EACH COMPONENT.



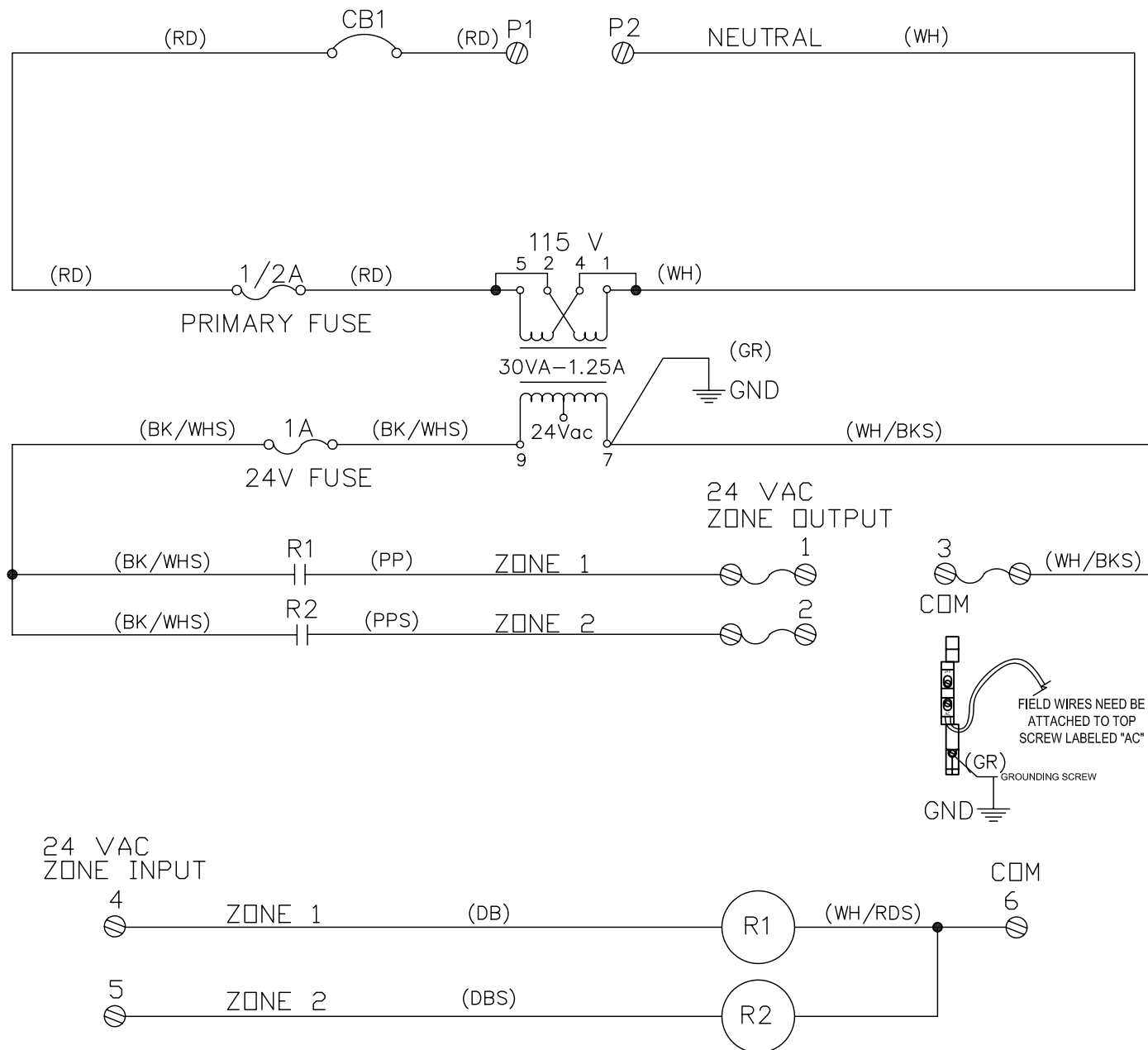
LIGHTNING PROTECTION

INSTALLATION GUIDE FOR "LIGHTN" SERIES
 LIGHTNING ISOLATION 2 ZONE

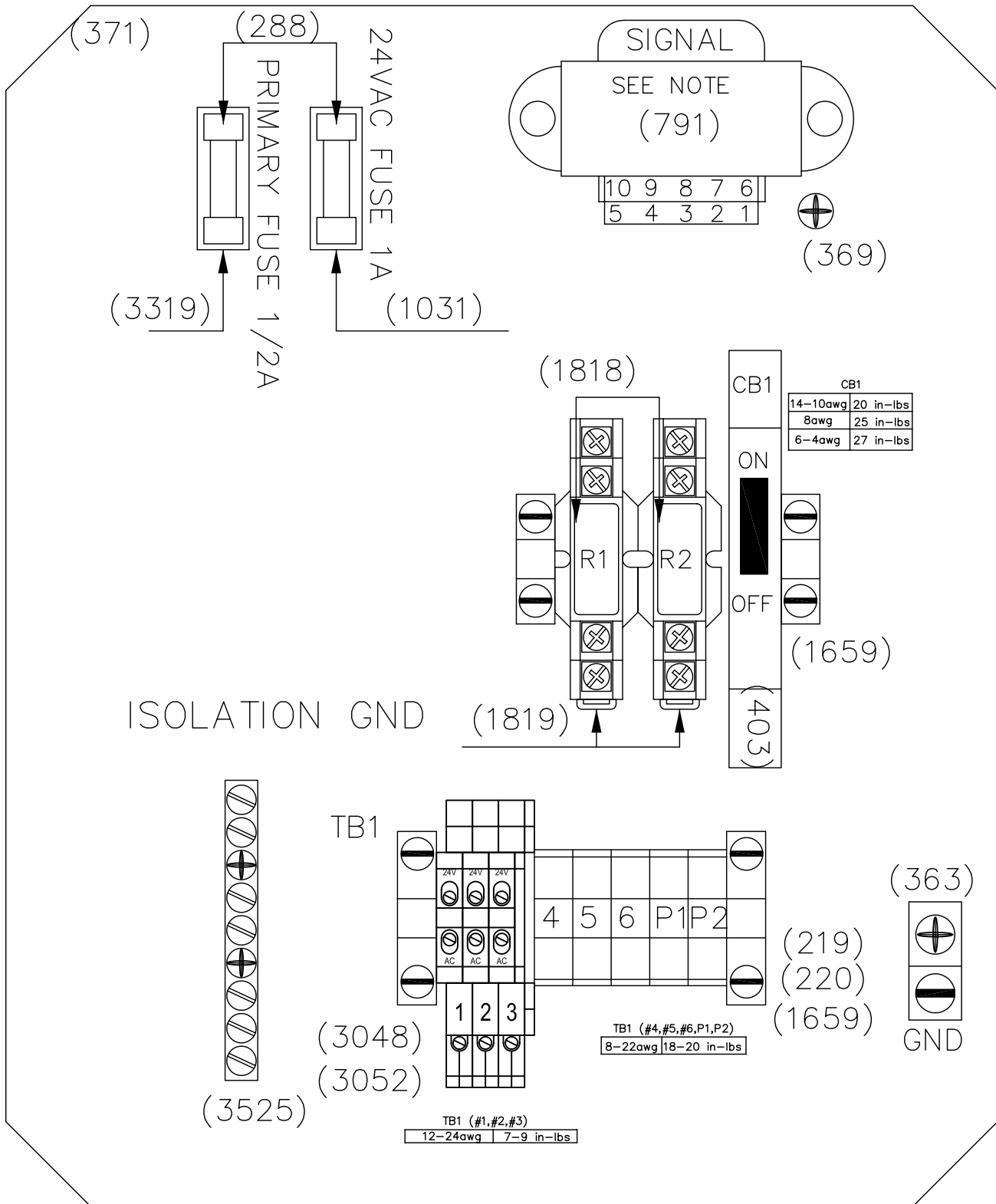
MODEL:		X4-LX	
DWG#		LIGHTN2Z-1	REVISION B
DATE:	07/10/06	DRAWN BY:	KF
FILE PATH:		PAGE	
S:\DATA\CONTROLS\AUTOCAD2000LT\X&LIGHTNING\LIGHTN2ZNX8993.dwg		1	

WIRING / INSTALLATION SCHEMATIC

BRANCH CIRCUIT
PROTECTION MUST BE
PROVIDED BY OTHERS
CONTROL POWER
115VOLTS ONLY
MIN 10AMP PROTECTION



BACKPLATE LAYOUT



BACKPLATE NOTES:

1. (xxxx) DENOTES ITEM NUMBER FOR ALL INSTALLED COMPONENTS
2. INSTALLERS MUST FOLLOW TORQUE SPECIFICATION PROVIDED.
TERMINALS ARE LISTED ALONG WITH ACCEPTABLE WIRE SIZES AND MINIMUM/MAXIMUM TORQUE SETTINGS.

COPYRIGHT © 2006 AMERICAN MANUFACTURING COMPANY, INC.

AMERICAN MANUFACTURING COMPANY INC.
ELKWOOD, VIRGINIA 22718

MODEL#: X4-LX

DWG#: LIGHTN2Z-1

DATE: 07/10/06

PAGE 3