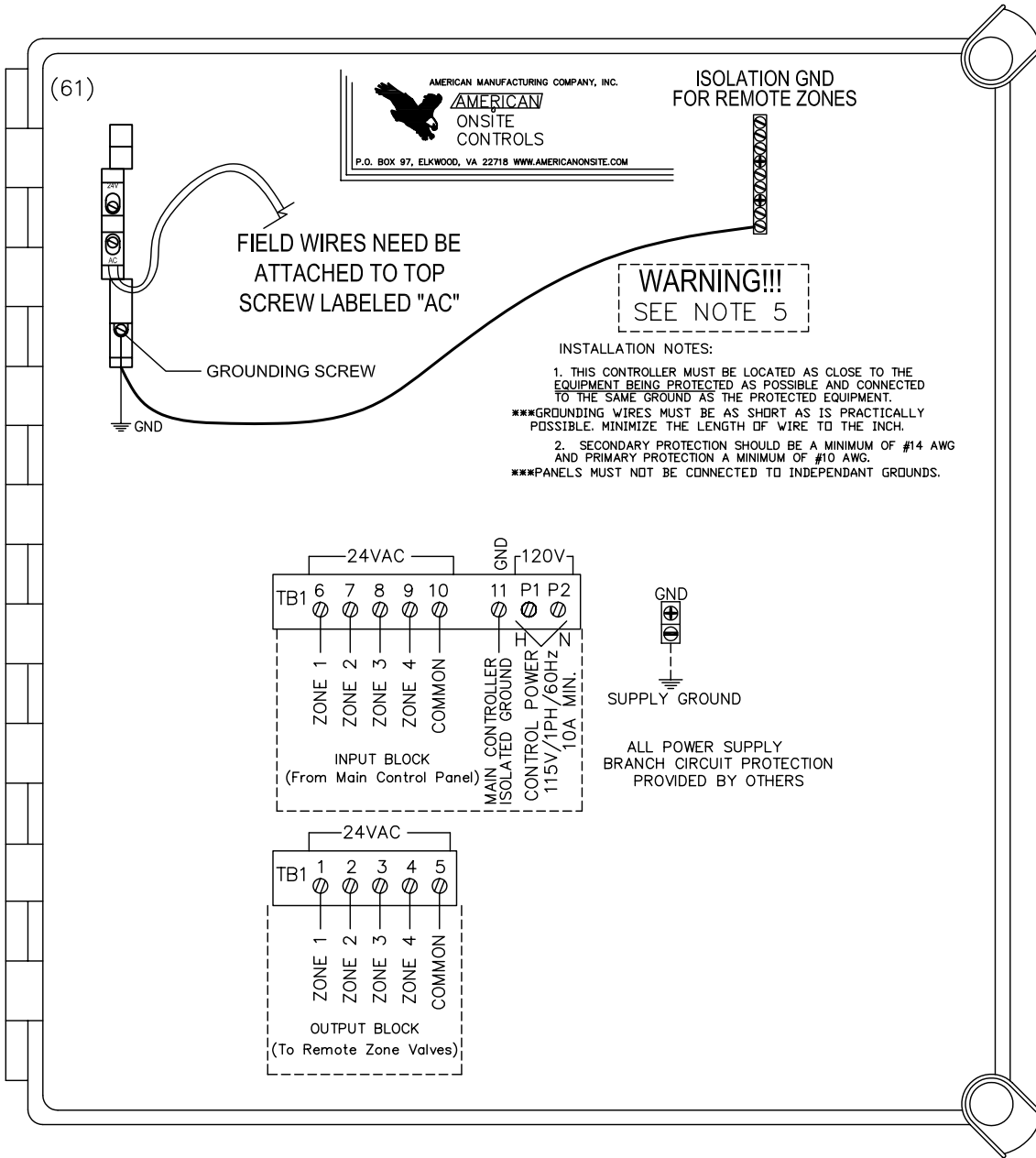




AMERICAN ONSITE CONTROLS

AMERICAN MANUFACTURING COMPANY INC.
P.O. BOX 97 ELKWOOD, VA 22718
(800) 345-3132 www.americanonsite.com



INSTALLATION NOTES:

PLEASE REVIEW ALL PAGES AND INSERTS IN THIS MANUAL BEFORE ATTEMPTING TO INSTALL ANY CONTROL EQUIPMENT.

1. DASHED LINES (- - -) MAY REPRESENT TERMINALS, EQUIPMENT, AND/OR OPTIONS THAT MAY OR MAY NOT BE PRESENT IN EACH SYSTEM COVERED BY THIS MANUAL.
2. BRANCH CIRCUIT PROTECTION MUST BE PROVIDED BY OTHERS. CONSULT NEC AND/OR LOCAL CODES.
3. SINGLE (1) PHASE PUMP MOTORS MUST HAVE INTEGRAL THERMAL OVERLOAD PROTECTION.
4. TEMPERATURE RATING OF FIELD INSTALLED COPPER CONDUCTORS MUST BE AT LEAST 140°F (60°C).
5. GROUNDS MUST BE CONNECTED TO PROPER GROUND LOCATIONS TO HAVE WARRANTY COVERAGE OF THIS AND PROTECTED CONTROLLERS.
6. PUMP SUPPLY MUST MATCH REQUIRED PUMP VOLTAGE. CONDUIT ENTRANCE MUST MATCH ENCLOSURE RATING.
7. PUMP AND PANEL VOLTAGE CODE MUST BE EQUIVALENT TO INCOMING PUMP AND CONTROL POWER SUPPLIES.
8. OVERLOAD/MOTOR PROTECTOR UNIT MAY REQUIRE ADJUSTMENT TO MATCH PUMP FULL LOAD AMPS (FLA)
9. SEPARATE OVERLOAD (O.L.) NOT REQUIRED WHEN MOTOR PROTECTORS (MP) ARE SUPPLIED.
10. THE MANUFACTURER RECOMMENDS THAT CONTROL/ALARM SUPPLY BE SEPARATE FROM THE PUMP SUPPLY.
11. REFER TO BACKPLATE LAYOUT ON PAGE 4 FOR THE REQUIRED TORQUE SETTINGS FOR EACH COMPONENT.

TORQUE SETTINGS:

TERMINALS:	WIRE SIZE:	TORQUE:
CB1	10-14awg	20 in-lbs
	8awg	25 in-lbs
	4-6awg	27 in-lbs
XFMR TERMINAL BLOCKS	10-22awg	7-8 in-lbs
TB1 (#1 THROUGH 5)	12-24awg	7-9 in-lbs
TB1 (#6 THROUGH 10)	10-22awg	7-8 in-lbs
11,P1 & P2	8-22awg	18-20 in-lbs

LIGHTNING PROTECTION 4 ZONES

INSTALLATION GUIDE FOR LIGHTNING PROTECTION PANEL

MODEL#:		LIGHTNING-PROTECT 4 ZONE	
DWG#:		LITNPROT4ZN	
DATE:	10/26/12	DRAWN BY:	SPC
FILE PATH:	S:\Data\Controls\AutoCAD\2000\X_&_LIGHTNING\LIGHTN4zn.dwg		PAGE
			1

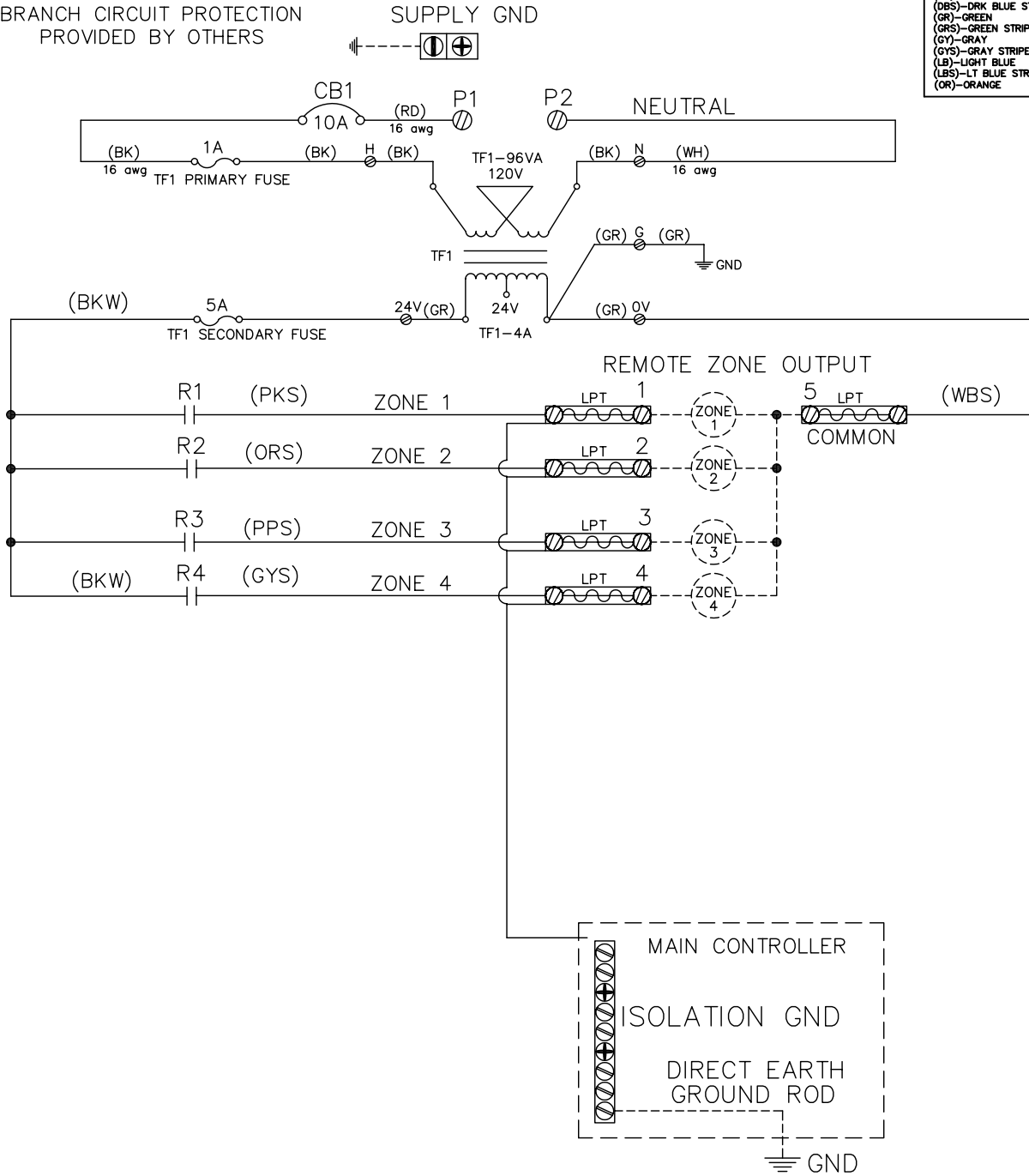


WIRING DIAGRAM / INSTALLATION SCHEMATIC

NOTES:
ALL WIRES ARE 18 awg
UNLESS OTHERWISE NOTED.

WIRE COLOR CODE	
(BK)-BLACK	(ORS)-ORANGE STRIPE
(BKS)-BLACK STRIPE	(PK)-PINK
(BR)-BROWN	(PKS)-PINK STRIPE
(BRS)-BROWN STRIPE	(PP)-PURPLE
(DB)-DARK BLUE	(PPS)-PURPLE STRIPE
(DBS)-DARK BLUE STRIPE	(RD)-RED
(GR)-GREEN	(RDS)-RED STRIPE
(GRS)-GREEN STRIPE	(TN)-TAN
(GY)-GRAY	(TNS)-TAN STRIPE
(GYS)-GRAY STRIPE	(WH)-WHITE
(LB)-LIGHT BLUE	(WHS)-WHITE STRIPE
(LBS)-LT BLUE STRIPE	(YL)-YELLOW
(OR)-ORANGE	(YLS)-YELLOW STRIPE

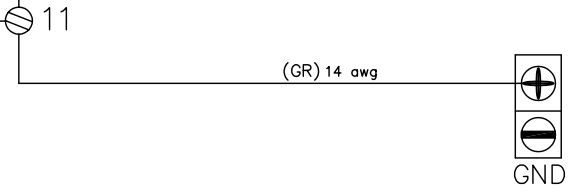
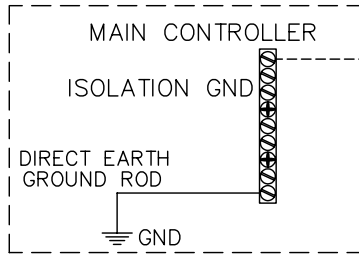
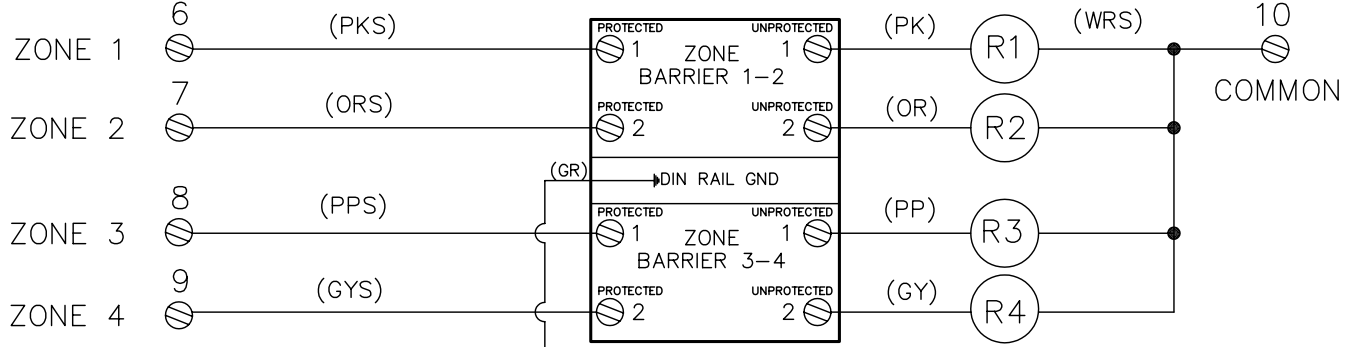
ALL POWER SUPPLY
BRANCH CIRCUIT PROTECTION
PROVIDED BY OTHERS

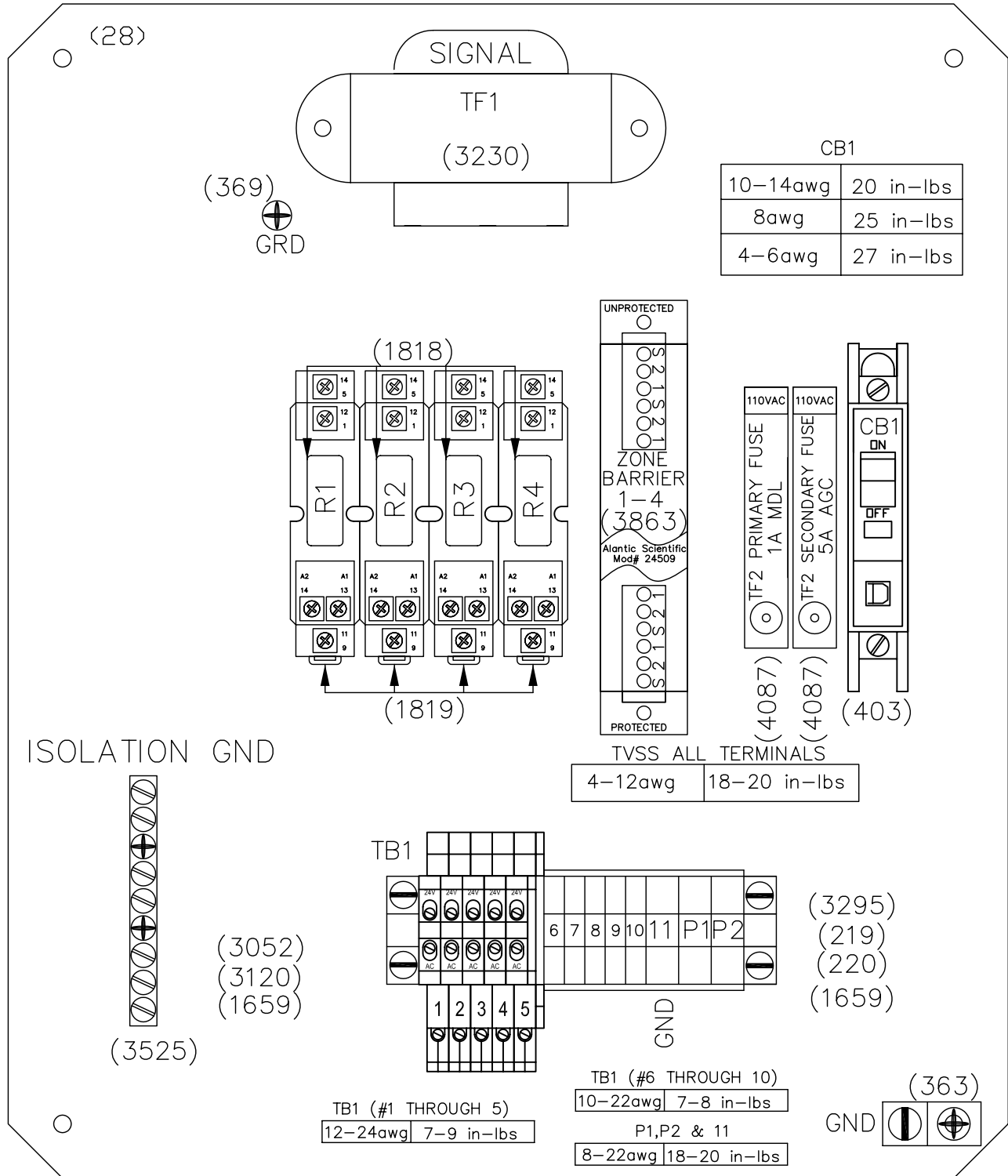


WIRING DIAGRAM / INSTALLATION SCHEMATIC

NOTES:
ALL WIRES ARE 18 awg
UNLESS OTHERWISE NOTED.

CONTROLLER ZONE INPUT





BACKPLATE NOTES:

1. (xxxx) DENOTES ITEM NUMBER FOR ALL INSTALLED COMPONENTS
2. INSTALLERS MUST FOLLOW TORQUE SPECIFICATION PROVIDED.
TERMINALS ARE LISTED ALONG WITH ACCEPTABLE WIRE SIZES AND MINIMUM/MAXIMUMTORQUE SETTINGS.

SHORT CIRCUIT RATING:
PANEL POWER CIRCUIT
5kA @ 120Vmax