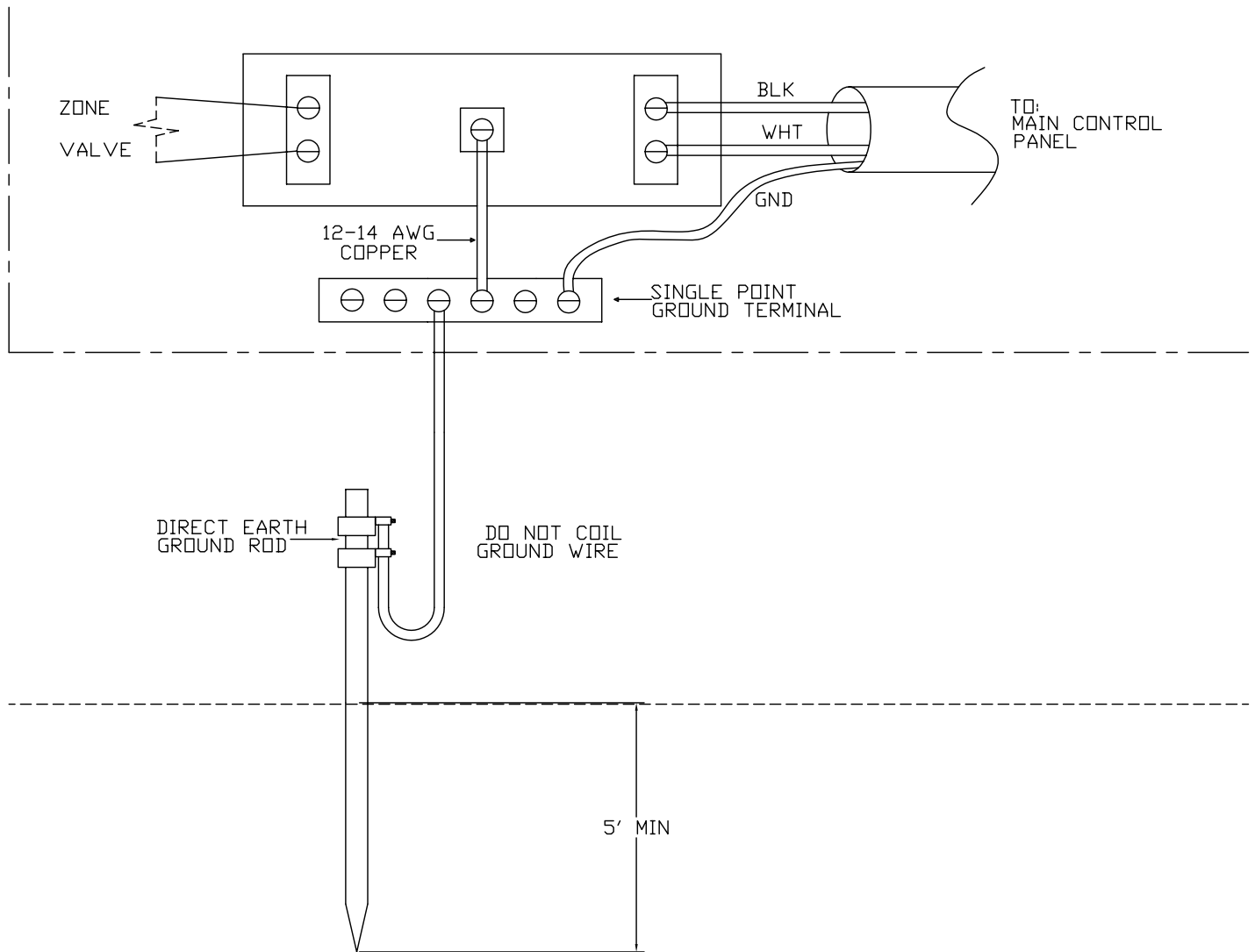




# AMERICAN ONSITE CONTROLS

AMERICAN MANUFACTURING COMPANY INC.  
P.O. BOX 97 ELKWOOD, VA 22718  
(800) 345-3132 www.americanonsite.com

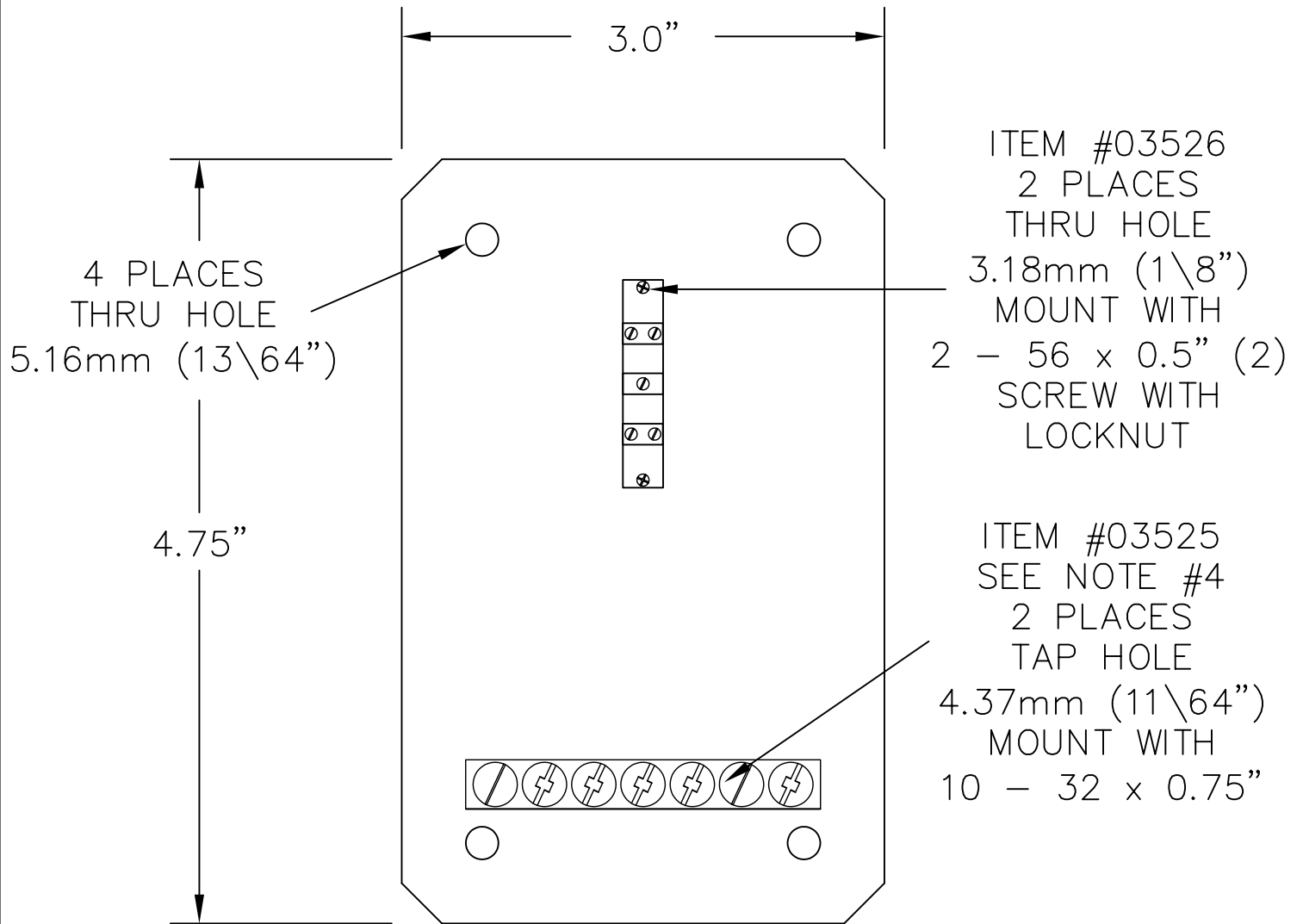


## TRANSIENT VOLTAGE SURGE SUPPRESSION (TVSS)

INSTALLATION GUIDE FOR TVSS FIELD BOX

MODEL#:	LIGHTN1ZN	
DWG#:	LIGHTN1ZN	REVISION B
DATE:	08/02/06	DRAWN BY: KF
FILE PATH:	S:\DATA\CONTROLS\AUTOCAD2000LT\X&LIGHTNING\LIGHTN1ZN.dwg	
	PAGE	1





ITEM #03526  
 2 PLACES  
 THRU HOLE  
 3.18mm (1\8")  
 MOUNT WITH  
 2 - 56 x 0.5" (2)  
 SCREW WITH  
 LOCKNUT

ITEM #03525  
 SEE NOTE #4  
 2 PLACES  
 TAP HOLE  
 4.37mm (11\64")  
 MOUNT WITH  
 10 - 32 x 0.75"

NOTES:

1. ALUMINIUM FLAT STOCK: ROTARY BRUSH FINISH
2. DEBURR ALL HOLES
3. FASTEN BACKPLATE INTO ENCLOSURE WITH 4 - #10 - 32 x 1/4" SCREWS
4. DRILL 3.97mm (5/32") TAP 10 - 32

<b>TRANSIENT VOLTAGE SURGE SUPPRESSION (TVSS)</b>		
INSTALLATION GUIDE FOR TVSS FIELD BOX		
MODEL#:	LIGHTN1ZN	
DWG#:	LIGHTN1ZN	REVISION B
DATE:	08/02/06	DRAWN BY: KF
FILE PATH:	PAGE 2	

