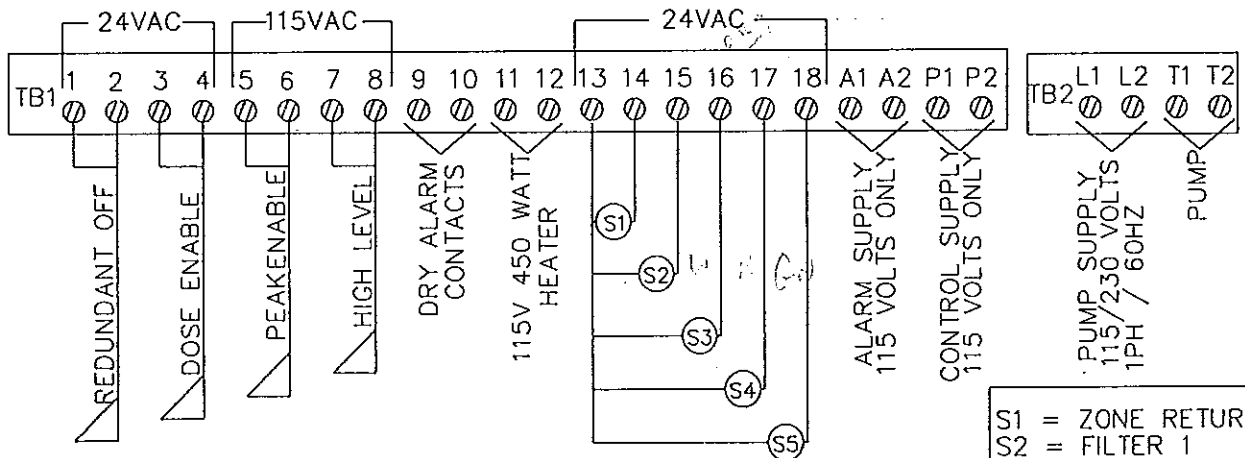
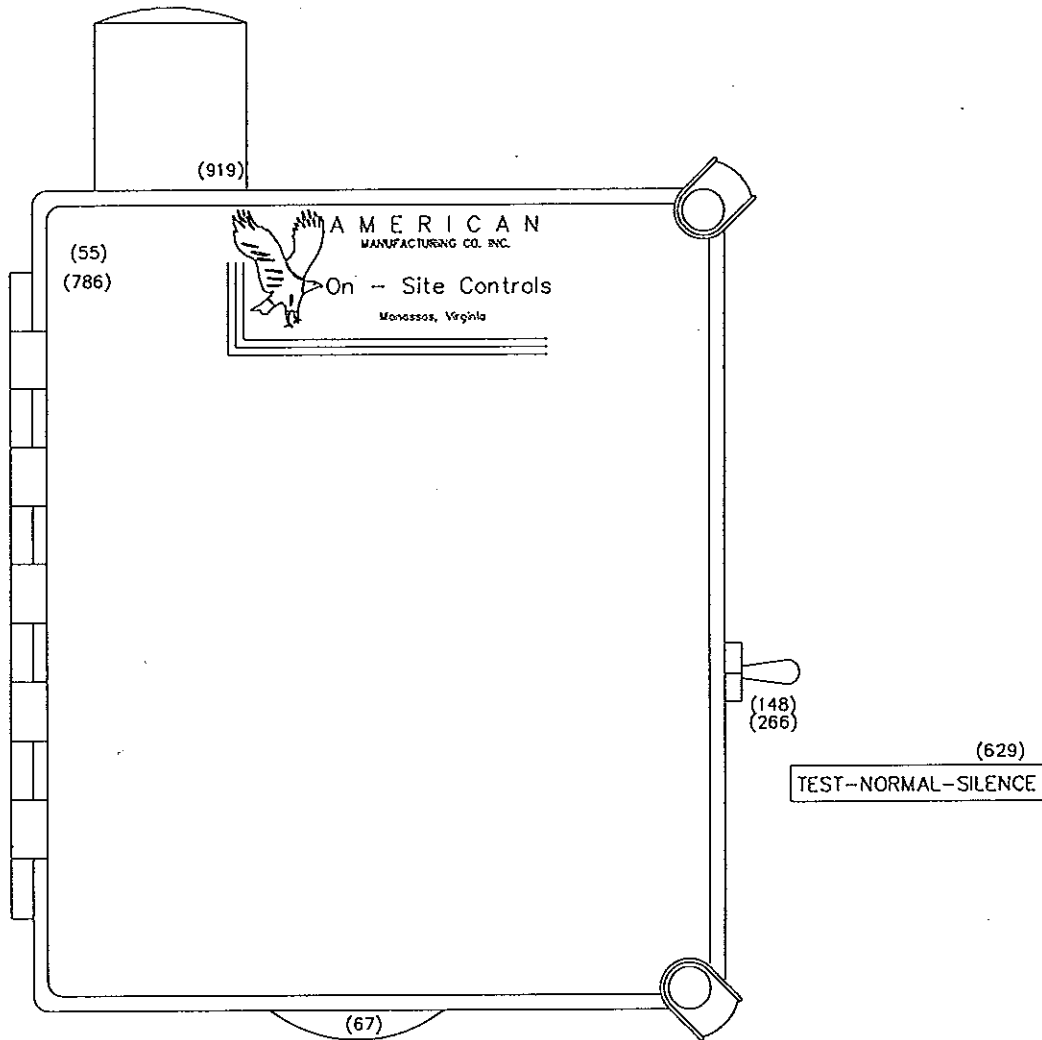


INSTALLATION SCHEMATIC



- S1 = ZONE RETURN
- S2 = FILTER 1
- S3 = FILTER 2
- S4 = ZONE 1
- S5 = ZONE 2

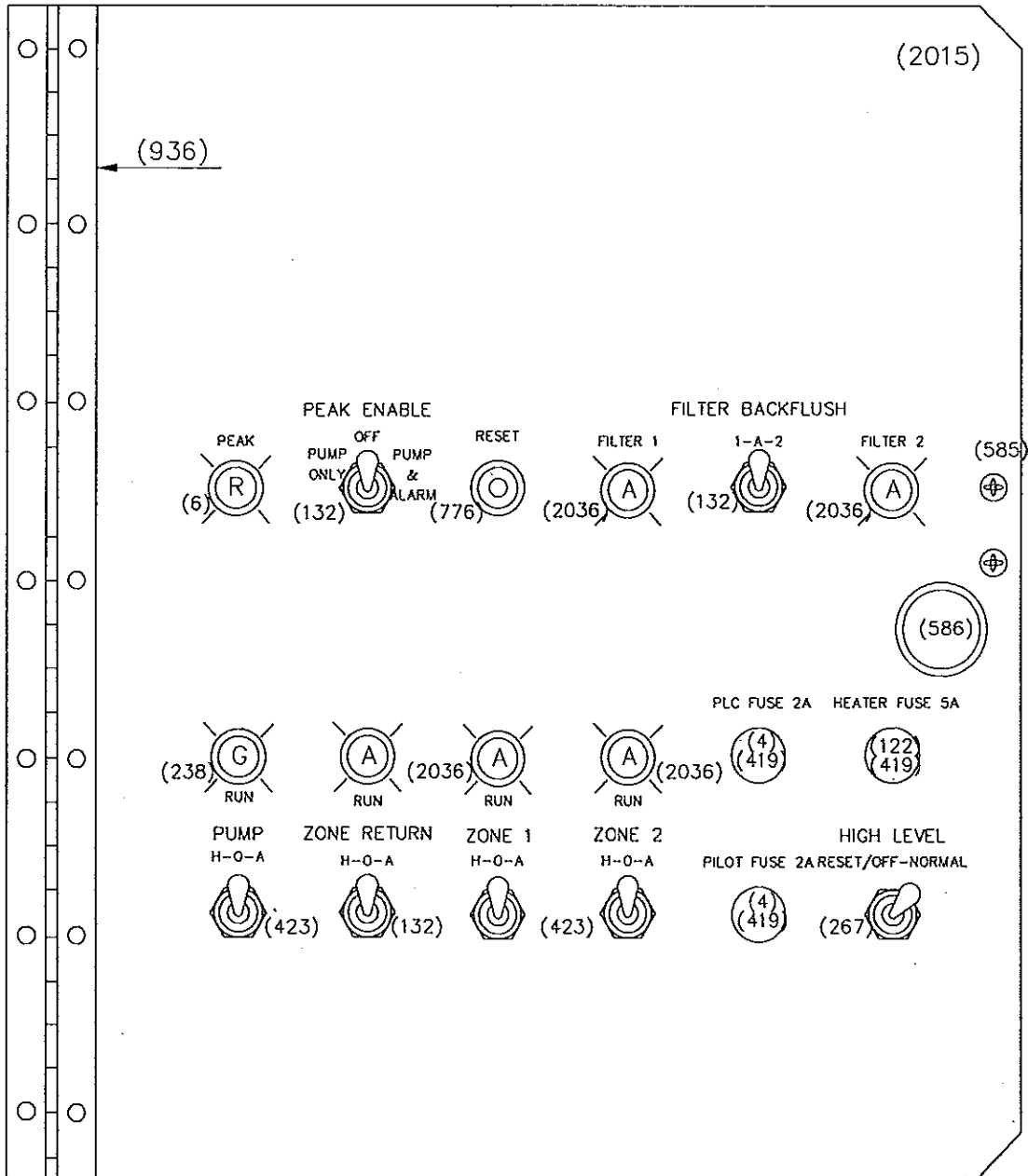
INSTALLER NOTES:

- 1 AN ADDITIONAL DISCONNECT(S) MAY BE REQUIRED. CONSULT NEC AND/OR LOCAL CODES.
- 2 SINGLE (1) PHASE PUMP MOTORS MUST HAVE INTEGRAL THERMAL OVERLOAD PROTECTION.
- 3 TEMPERATURE RATING OF FIELD INSTALLED COPPER CONDUCTORS MUST BE AT LEAST 140 DEGRESS F. (60 DEG. C.).
- 4 TERMINAL BLOCK (TB1) TORQUE 12 IN./LBS.
- 5 TERMINAL BLOCK (TB2) TORQUE 20 IN./LBS.
- 6 (000) DENOTES BILL OF MATERIALS ITEM NO.

COPYRIGHT © AMERICAN MANUFACTURING COMPANY, INC.

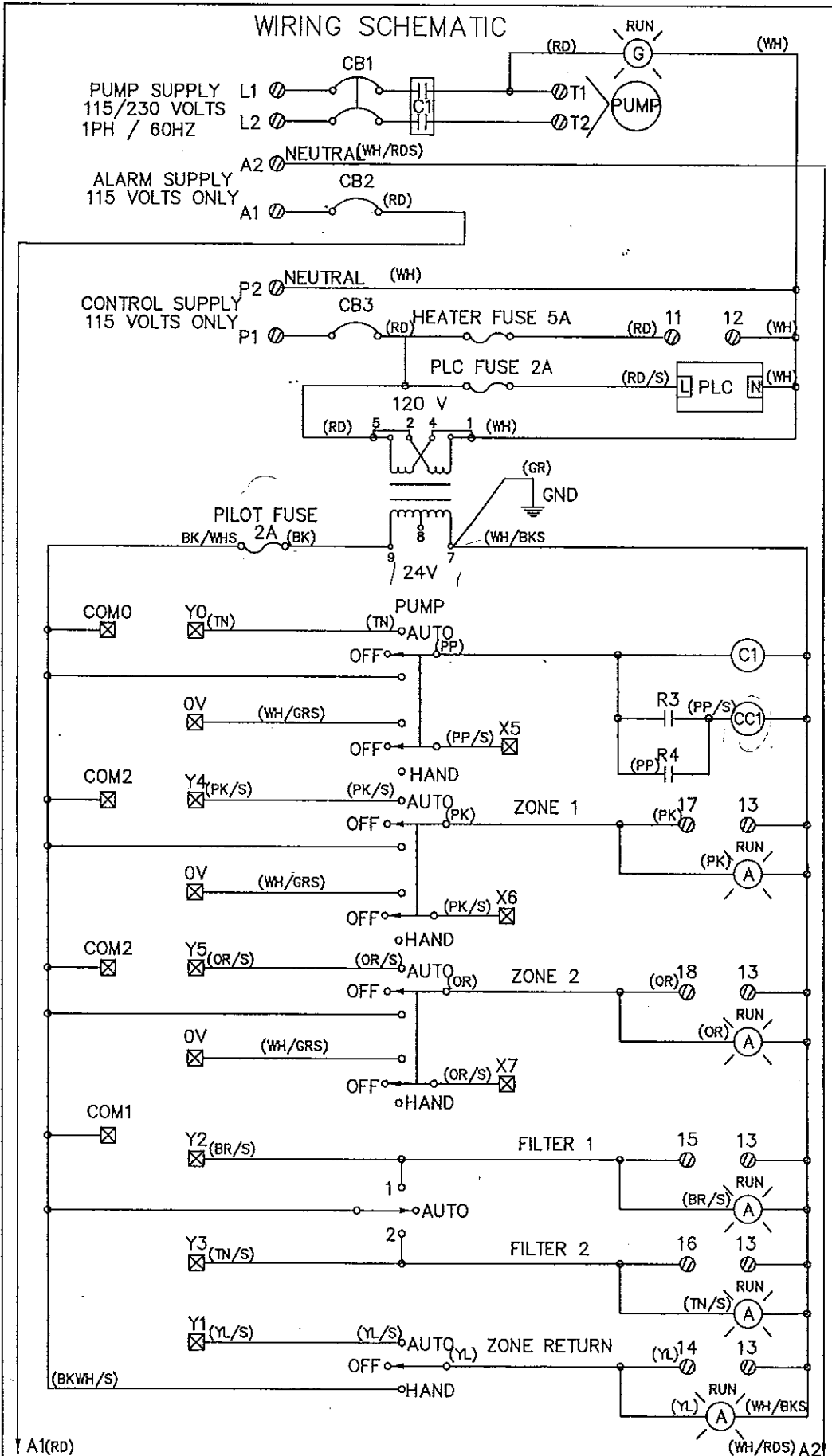
REVISION C		
AMERICAN MANUFACTURING CO., INC.	MODEL# DP122-SAB124-AHJLRY	
MANASSAS, VIRGINIA 22110	B/M# B9140	DWG# X9140
		DATE: 02/25/98
		APPROVED

HINGED INNER DOOR



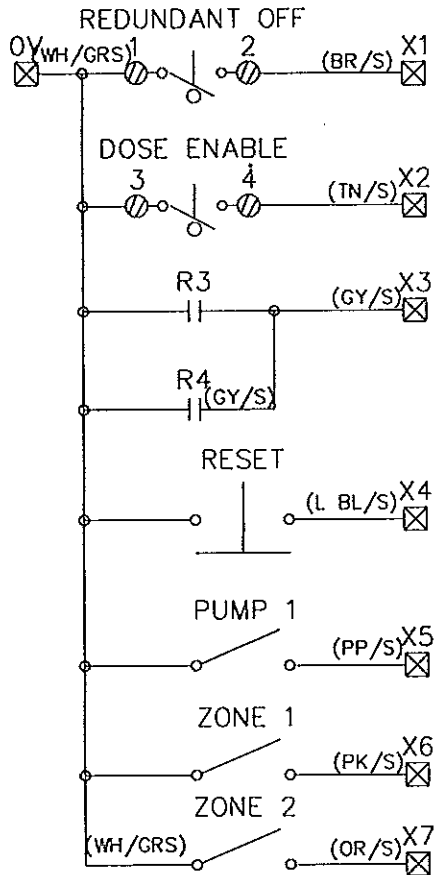
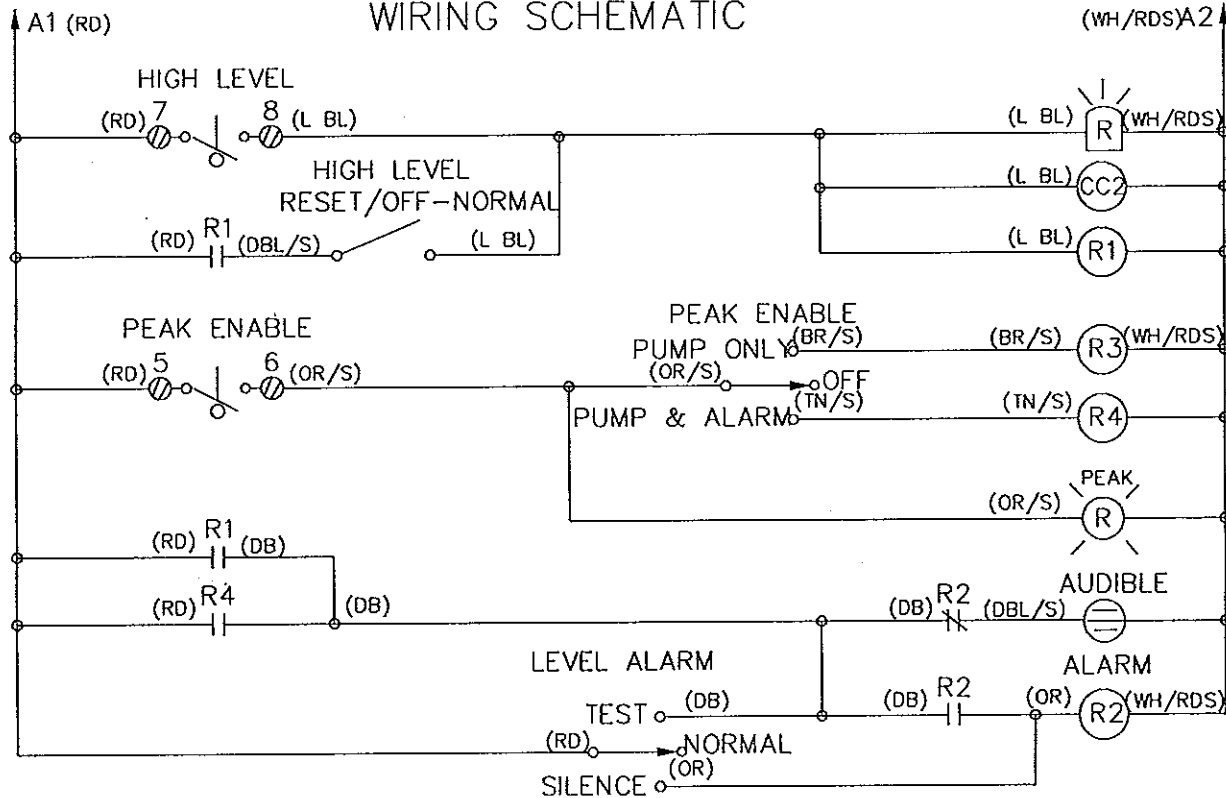
AMERICAN MANUFACTURING CO., INC.	MODEL# DP122-SAB124-AHJLRY		
MANASSAS, VIRGINIA 22110	B/M# B9140	DWG# X9140	DATE: 8/22/97

WIRING SCHEMATIC



AMERICAN MANUFACTURING CO., INC.	MODEL# DP122-SAB124-AHJLRY		
MANASSAS, VIRGINIA 22110	B/M# B9140	DWG# X9140	DATE: 8/22/97

WIRING SCHEMATIC

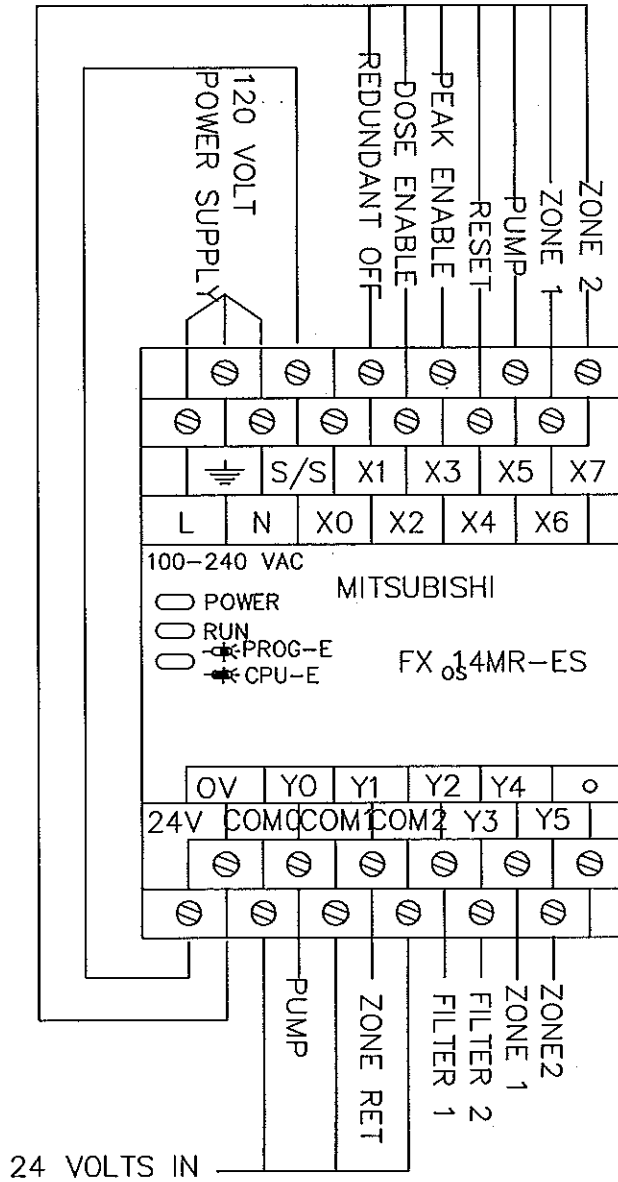


9 R1 10
 (PK/S) (PK/S)
 DRY ALARM CONTACTS

WIRE COLOR CODE
(BK) -- BLACK
(BK/S) -- BLACK/STRIPE
(BR) -- BROWN
(BR/S) -- BROWN/STRIPE
(D BL) -- D BLUE
(D BL/S) -- D BLUE/STRIPE
(GR) -- GREEN
(GR/S) -- GREEN/STRIPE
(GY) -- GRAY
(GY/S) -- GRAY/STRIPE
(L BL) -- LT BLUE
(L BL/S) -- LT BLUE/STRIPE
(OR) -- ORANGE
(OR/S) -- ORANGE/STRIPE
(PK) -- PINK
(PK/S) -- PINK/STRIPE
(PP) -- PURPLE
(PP/S) -- PURPLE/STRIPE
(RD) -- RED
(RD/S) -- RED/STRIPE
(TN) -- TAN
(TN/S) -- TAN/STRIPE
(WH) -- WHITE
(WH/S) -- WHITE/STRIPE
(YL) -- YELLOW
(YL/S) -- YELLOW/STRIPE

AMERICAN MANUFACTURING CO., INC.	MODEL# DP122-SAB124-AHJLRY		
MANASSAS, VIRGINIA 22110	B/M# B9140	DWG# X9140	DATE: 8/22/97

WIRING SCHEMATIC



AMERICAN MANUFACTURING CO., INC.

MODEL# DP122-SAB124-AHJLRY

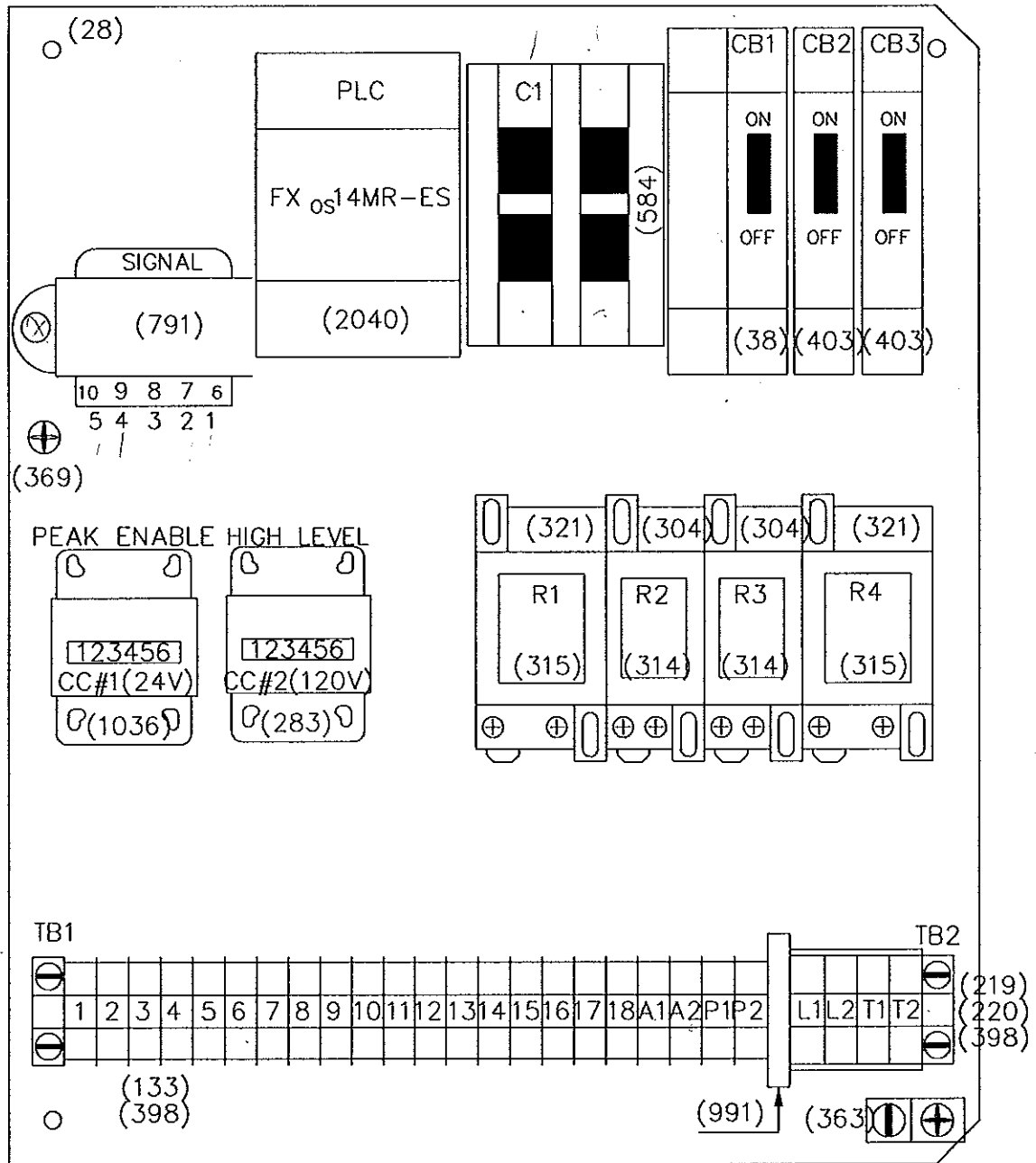
MANASSAS, VIRGINIA 22110

B/M# B9140

DWG# X9140

DATE: 8/22/97

BACKPLATE LAYOUT



NOTE: (O) DENOTES ITEMS SUPPLIED BY OTHERS.

AMERICAN MANUFACTURING CO., INC.	MODEL# DP122-SAB124-AHJLRY		
MANASSAS, VIRGINIA 22110	B/M# B9140	DWG# X9140	DATE: 8/22/97