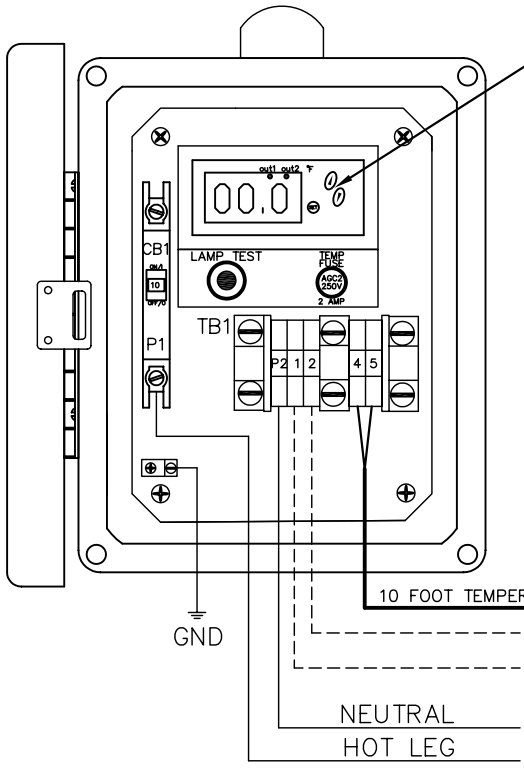




AMERICAN ONSITE CONTROLS

AMERICAN MANUFACTURING COMPANY INC.
 P.O. BOX 97 ELKWOOD, VA 22718
 (800) 345-3132 www.americanonsite.com



SETUP:

TO SET FAIL TEMPERATURE SET POINT. PRESS THE "SET" KEY UNTIL OUTPUT 1 LIGHT IS ON. USE THE "UP" AND "DOWN" KEYS TO ENTER DESIRED VALUE.

PRESS THE "SET" KEY AND OUTPUT 2 LIGHT WILL COME ON. USE THE "UP" AND "DOWN" KEYS TO SET OUTPUT 2 TO THE SAME VALUE AS OUTPUT 1.

WHEN FINISHED, PRESS THE "SET" KEY UNTIL THE ACTUAL TEMPERATURE IS DISPLAYED.

ALARM OPERATION:

THE CONTROL PANEL IS USED TO MONITOR AND ALARM AT LOW TEMPERATURES IN FREEZING CONDITIONS. WHEN THE LOW TEMPERATURE SET POINT IS REACHED, THE SWITCH WILL ACTIVATE THE MONITORS AUDIBLE ALARM AND TOP LIGHT ON THE ENCLOSURE.

TO SILENCE THE ALARM PRESS AND HOLD BOTH THE "SET" & "DOWN" KEYS THEN RELEASE.

THE ALARM WILL RESET AUTOMATICALLY ONCE THE TEMPERATURE HAS RISEN ABOVE THE ALARM SET POINT.

!!!WARNING!!!
 READ INSTALLATION NOTES ON ALL PAGES

10 FOOT TEMPERATURE PROBE TO SENSING LOCATION.

DRY REMOTE N.O. ALARM CONTACT

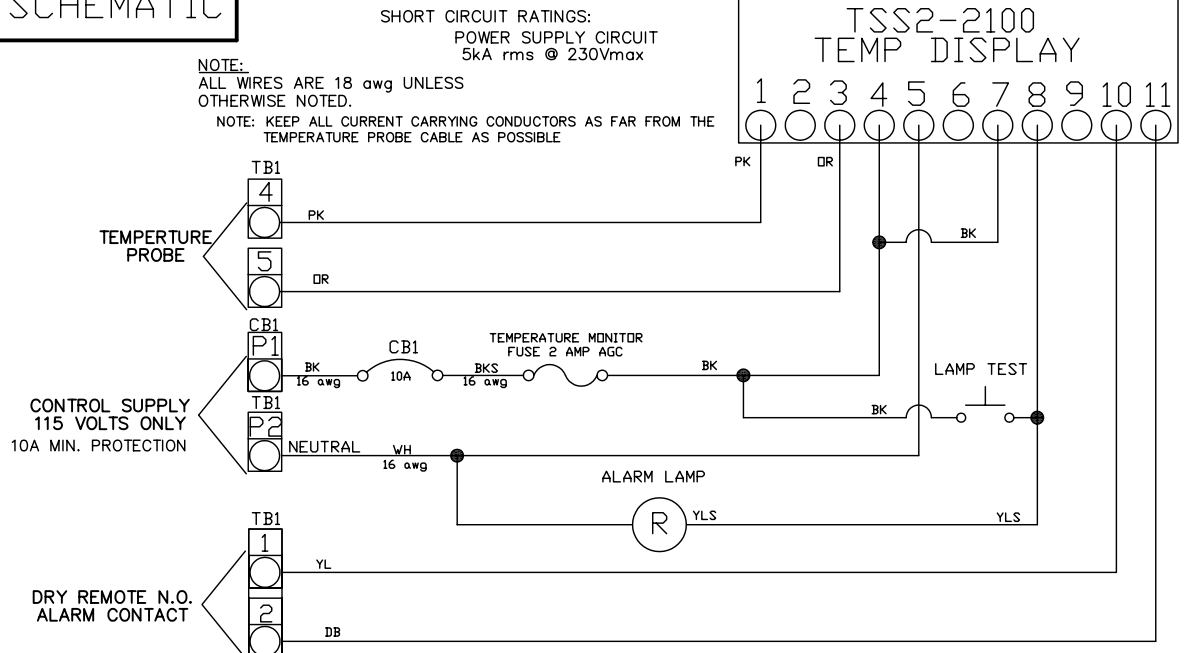
BRANCH CIRCUIT PROTECTION SUPPLIED BY OTHERS.

115 VOLTS ONLY
 10A MIN. PROTECTION

TORQUE SETTINGS

ALL BREAKERS	
14-10awg	20 in-lbs
8awg	25 in-lbs
6-4awg	27 in-lbs
TB1 ALL TERMINALS	
10-22awg	7-8 in-lbs

INSTALLATION SCHEMATIC



SHORT CIRCUIT RATINGS:
 POWER SUPPLY CIRCUIT
 5kA rms @ 230Vmax

NOTE:
 ALL WIRES ARE 18 awg UNLESS OTHERWISE NOTED.

NOTE: KEEP ALL CURRENT CARRYING CONDUCTORS AS FAR FROM THE TEMPERATURE PROBE CABLE AS POSSIBLE

INSTALLATION NOTES:

1. !!WARNING!! ALWAYS DISCONNECT POWER TO THE MAIN CONTROL UNIT BEFORE INSTALLATION OR REMOVAL OF TSA RETRO FIT ALARM SYSTEM.
2. TEMPERATURE PROBE SHOULD BE WIRED WITHOUT SPLICES FROM THE TSA PANEL TO THE HYDRAULIC UNIT ENCLOSURE.
3. FOR INSTANCES WHERE THE PANEL IS FARTHER THAN THE SUPPLIED 10 FT. CABLE LENGTH, THE TEMPERATURE PROBE CABLE MUST BE CUT AND SPLICED INSIDE THE SENSING ENCLOSURE ONLY, OR TEMPERATURE SKEWING MAY OCCUR.
4. SPLICES MUST BE MADE WITH SILICONE OR GEL SPLICE KITS OR OTHER APPROVED FOR MAKING A WATER-TIGHT SPLICE.
5. SEE PAGE 2 FOR INSTALLATION INSTRUCTIONS
6. TEMPERATURE PROBE SHOULD BE PLACED IN OWN CONDUIT.
7. KEEP ALL CURRENT CARRYING CONDUCTORS AS FAR FROM THE TEMPERATURE PROBE CABLE AS POSSIBLE.
8. SEE BACKPLATE PAGE 2 FOR COMPONENT TORQUE SETTINGS.



TEMPERATURE ALARM WITH SENSOR

INSTALLATION GUIDE FOR TAS RETRO FIT
 OPTIONS: PROBE AND GENERAL ALARM

MODEL: AB4-AX29		REVISION: A
DWG#: A0601	APPROVED	
DATE: 04/01/2009	DRAWN BY: SPC	PAGE: 1
FILE PATH: S:/DATA/CONTROLS/AUTOCAD2000LT/ALARMS/A0601.dwg		

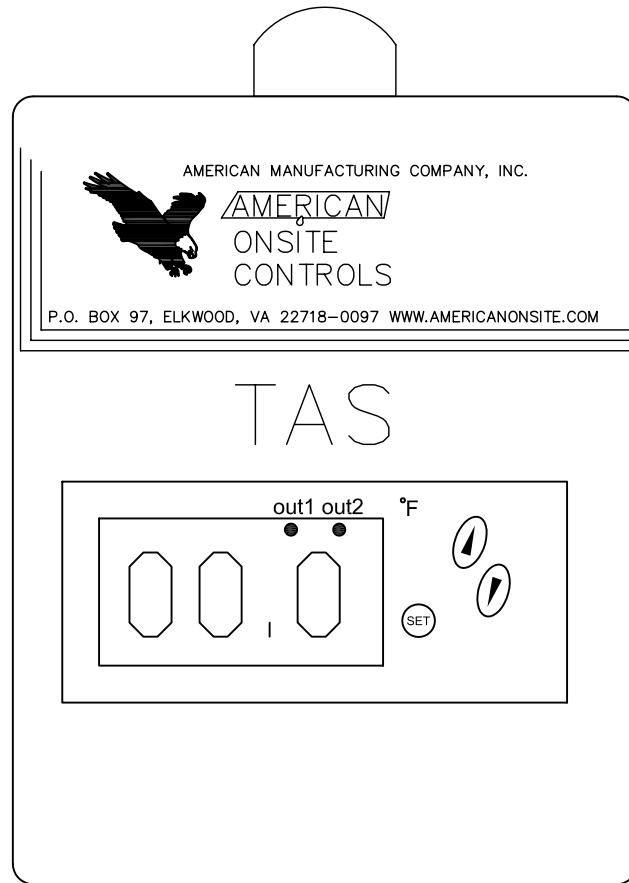
PERC-RITE(R) DRIP INTEGRATION

TO BE USED WITH RESIDENTIAL PERC-RITE(R) CONTROLS

INCLUDING THE FOLLOWING:

- X9140P, X9141P, X9146P, X9156P,
- X9157P, X9158, X9159

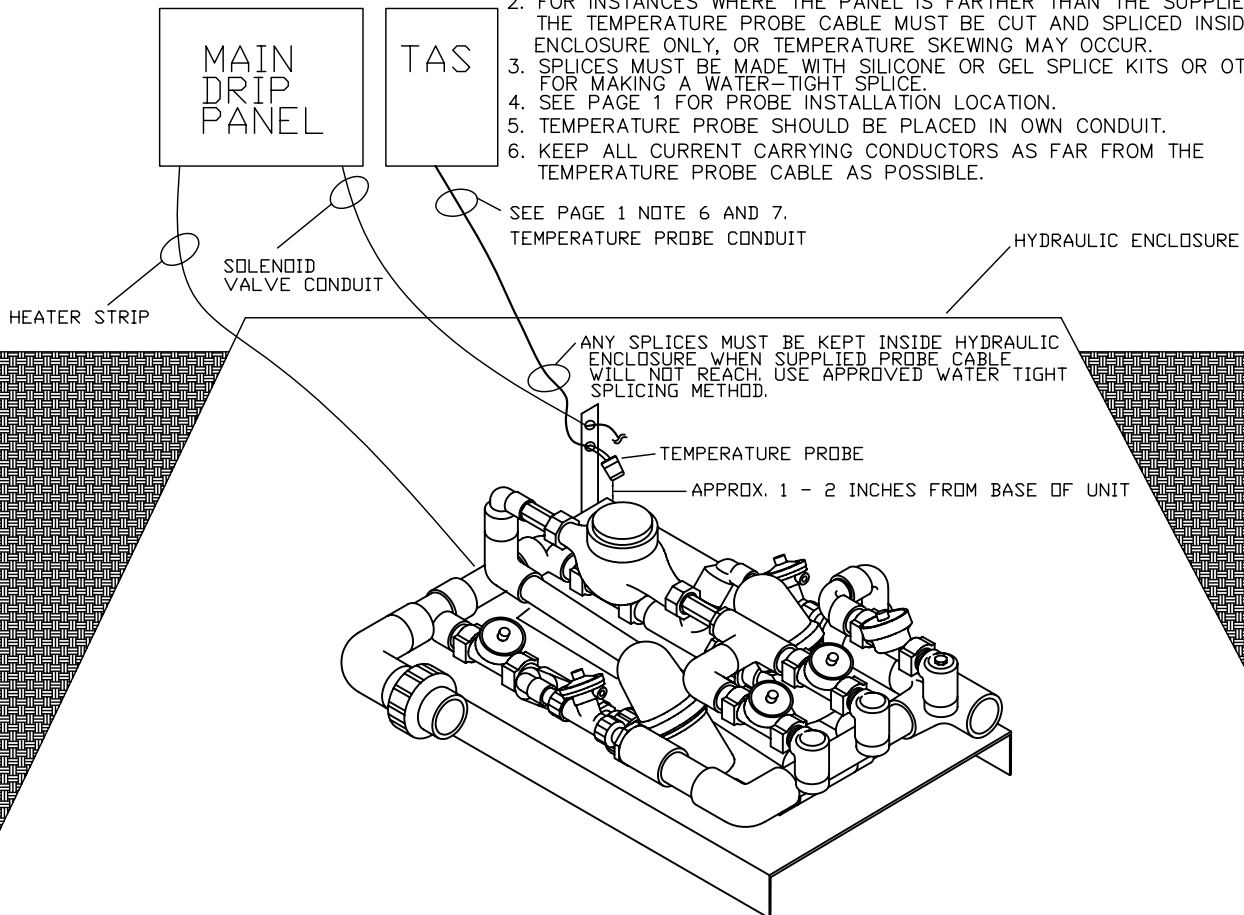
Monitor temperature and create an alarm set point to prevent out of range temperatures for temperature sensitive equipment or processes. The TAS (Temperature Alarm w/Sensor) retrofit control panel connects directly to any existing panel and works in conjunction with the general audible/visual alarm.



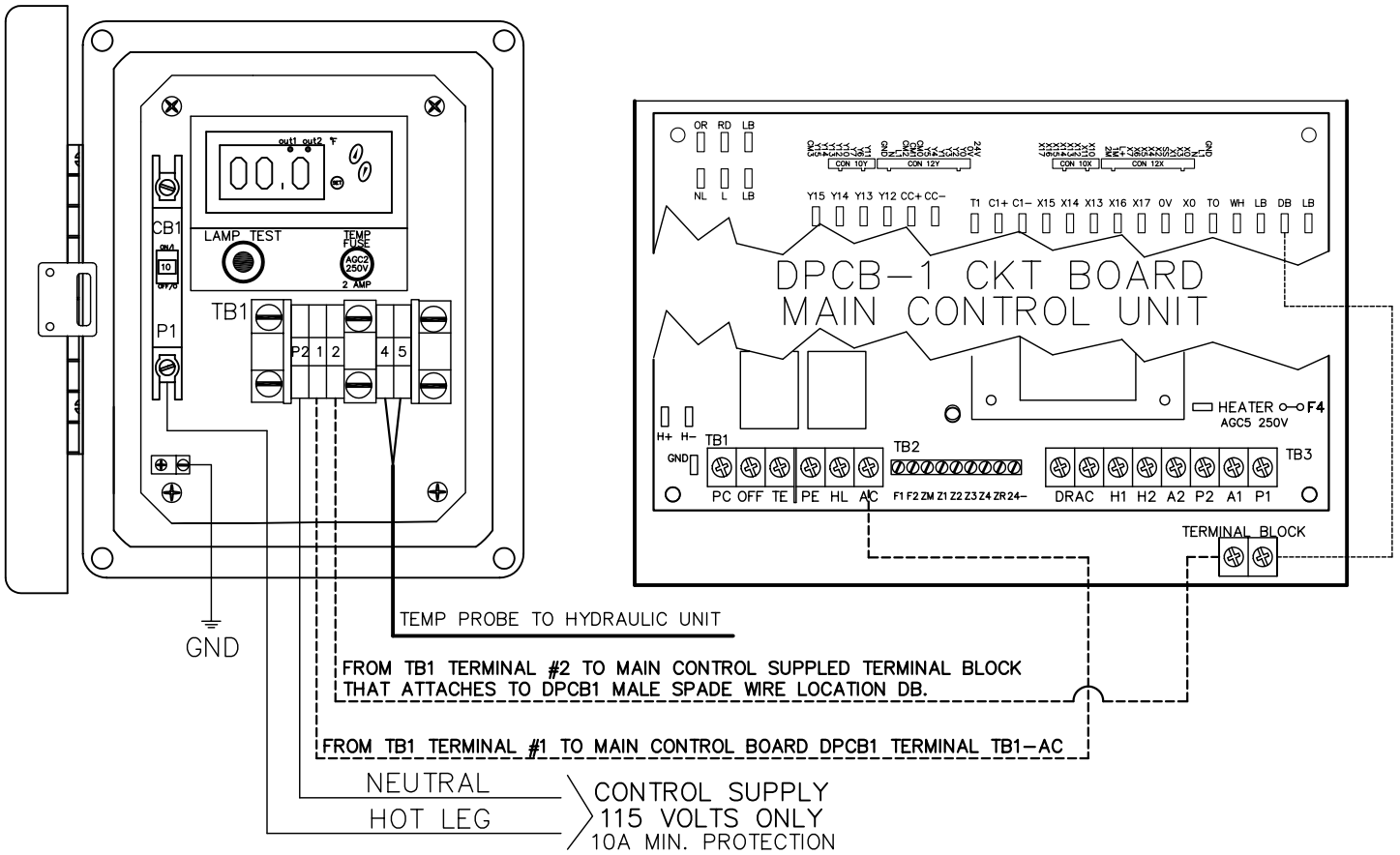
FIELD INSTALLATION

INSTALLTION NOTES:

1. TEMPERATURE PROBE SHOULD BE WIRED WITHOUT SPLICES FROM THE MAIN PANEL TO THE HYDRAULIC UNIT ENCLOSURE.
2. FOR INSTANCES WHERE THE PANEL IS FARTHER THAN THE SUPPLIED CABLE LENGTH, THE TEMPERATURE PROBE CABLE MUST BE CUT AND SPLICED INSIDE THE HYDRAULIC ENCLOSURE ONLY, OR TEMPERATURE SKEWING MAY OCCUR.
3. SPLICES MUST BE MADE WITH SILICONE OR GEL SPLICE KITS OR OTHER APPROVED FOR MAKING A WATER-TIGHT SPLICE.
4. SEE PAGE 1 FOR PROBE INSTALLATION LOCATION.
5. TEMPERATURE PROBE SHOULD BE PLACED IN OWN CONDUIT.
6. KEEP ALL CURRENT CARRYING CONDUCTORS AS FAR FROM THE TEMPERATURE PROBE CABLE AS POSSIBLE.



INSTALLATION SCHEMATIC FOR DRIP CONTROL AUDIBLE ALARM ONLY



INSTALLATION SCHEMATIC FOR DRIP CONTROL HIGH LEVEL FLOAT ALARM

